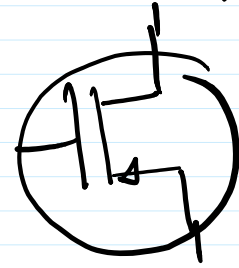
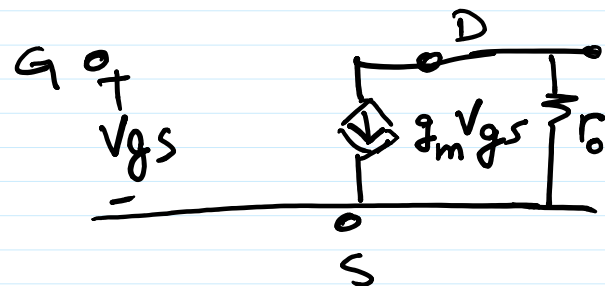
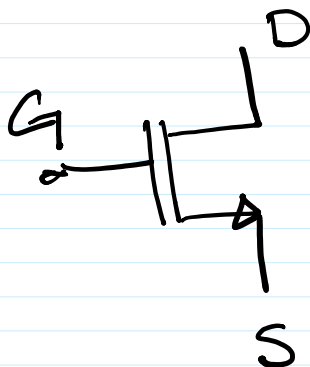
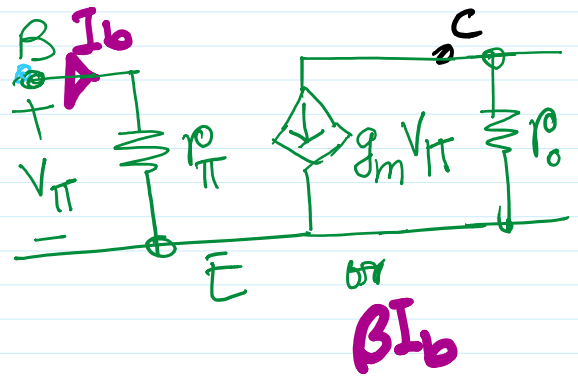
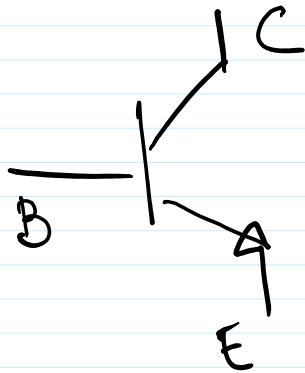


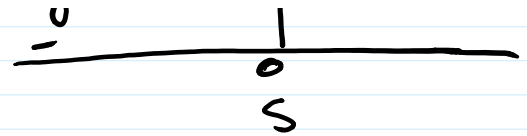
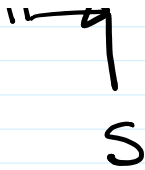
N-MOS



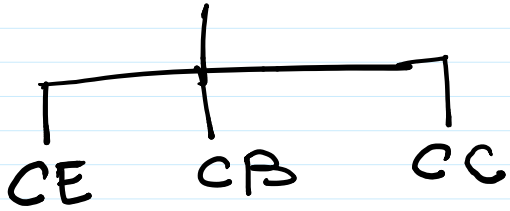
P-MOS

* Small signal equivalent circuit diagram
 NPN-transistor

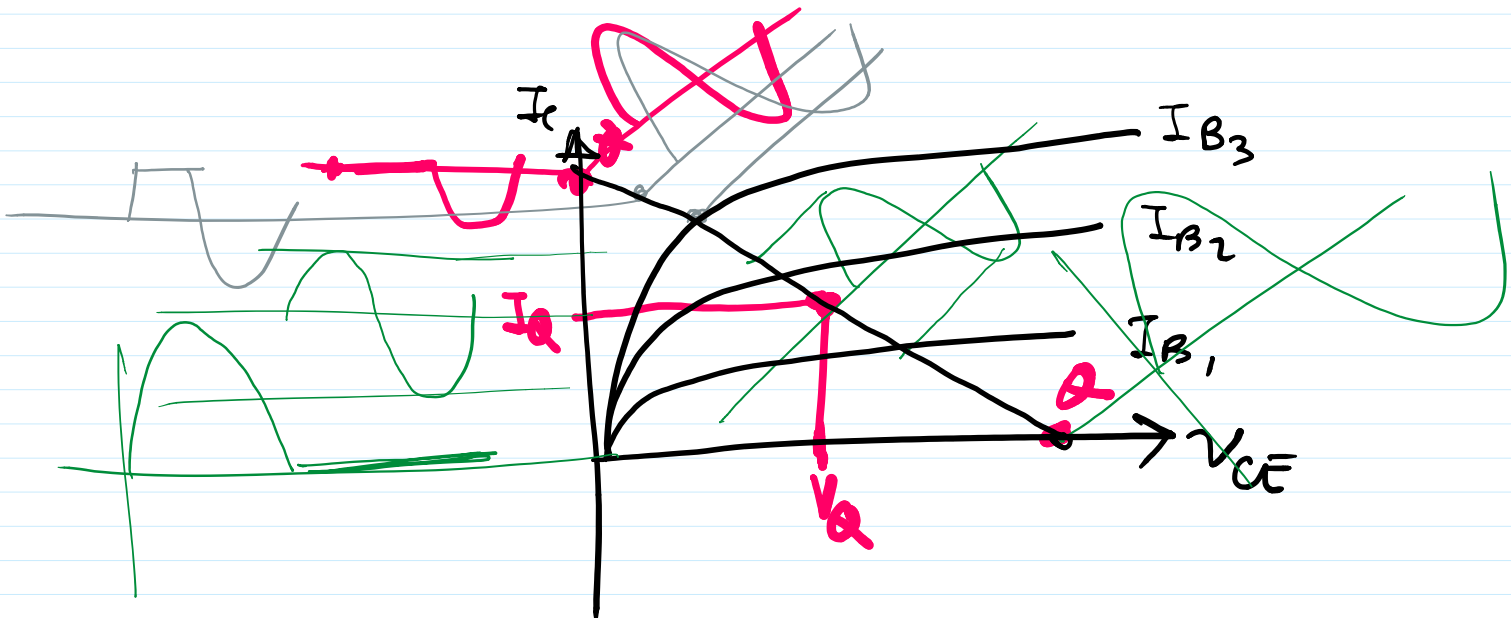
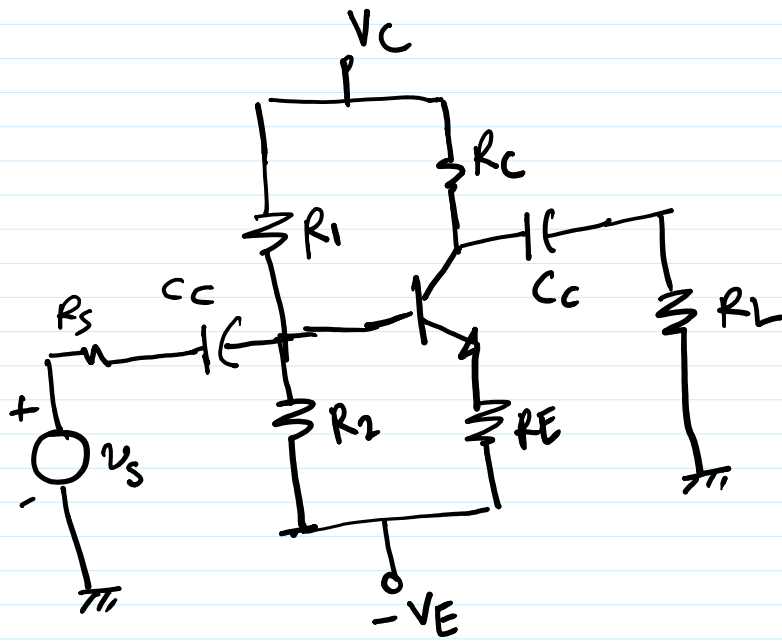
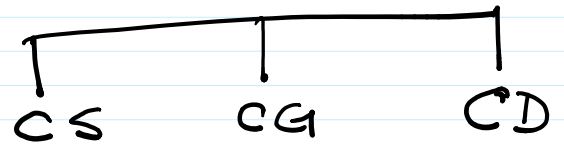


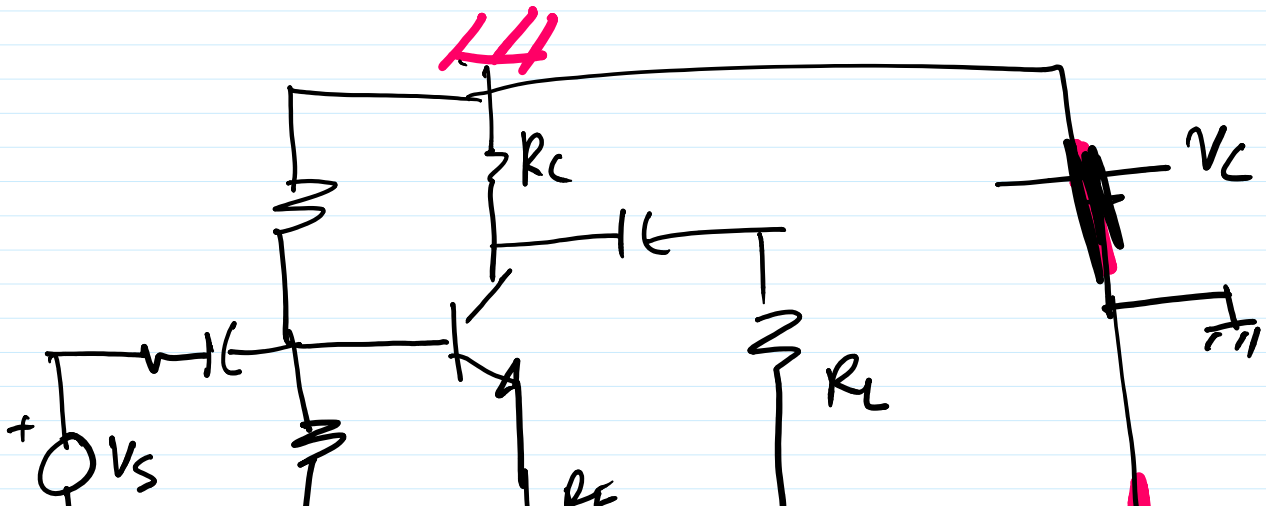
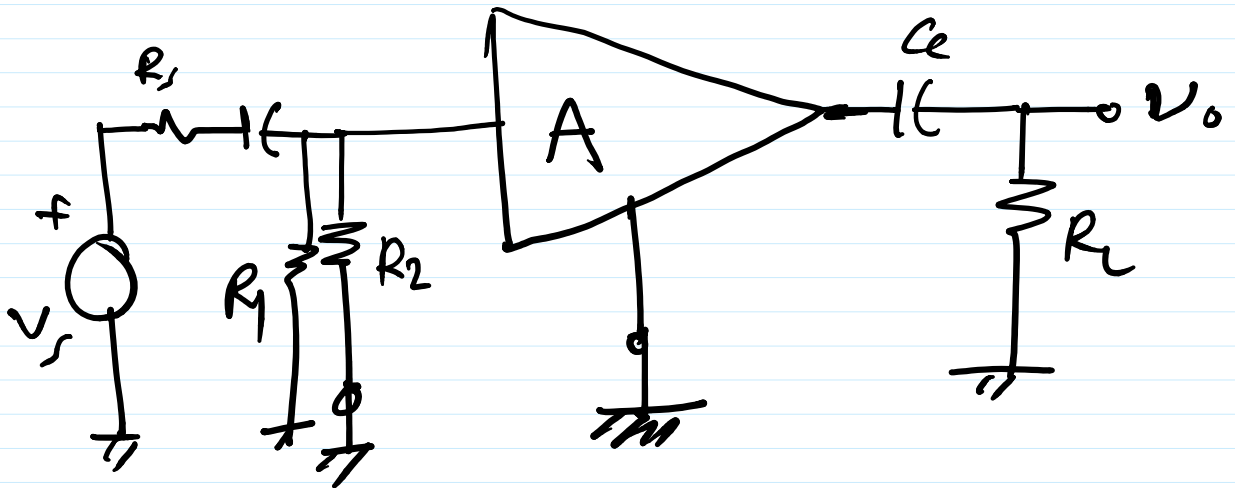
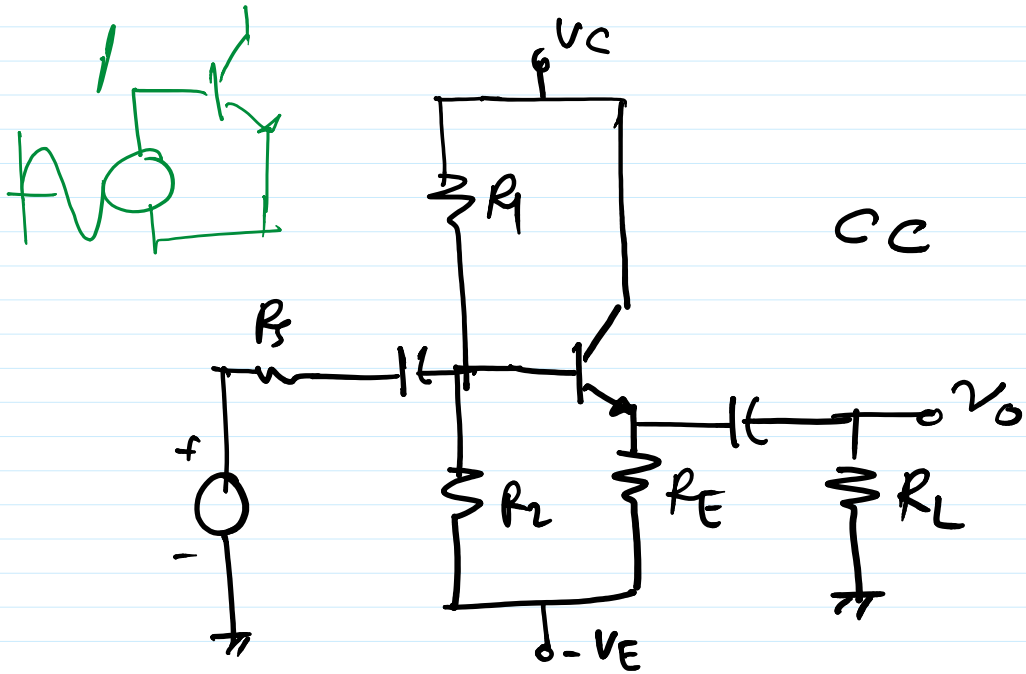


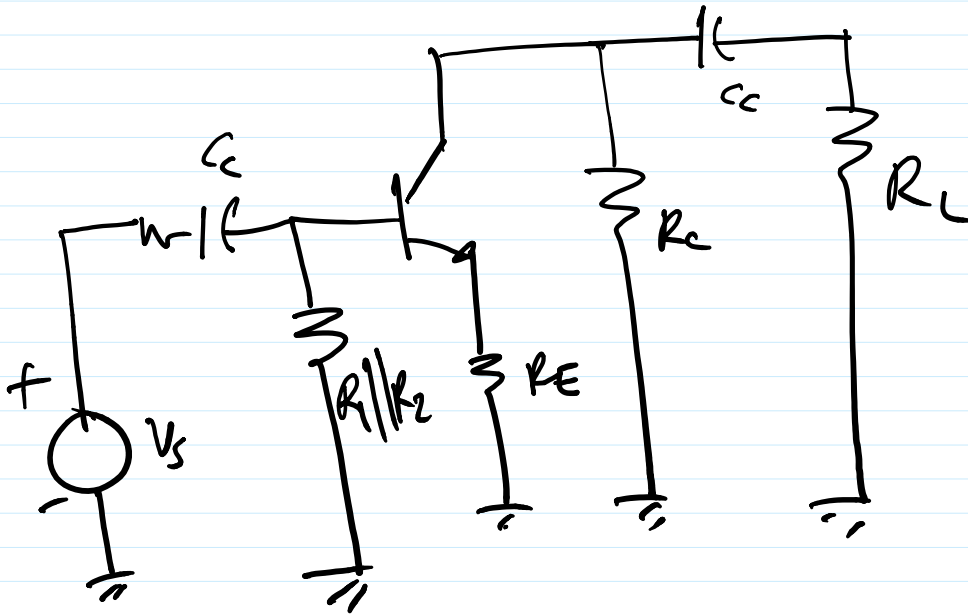
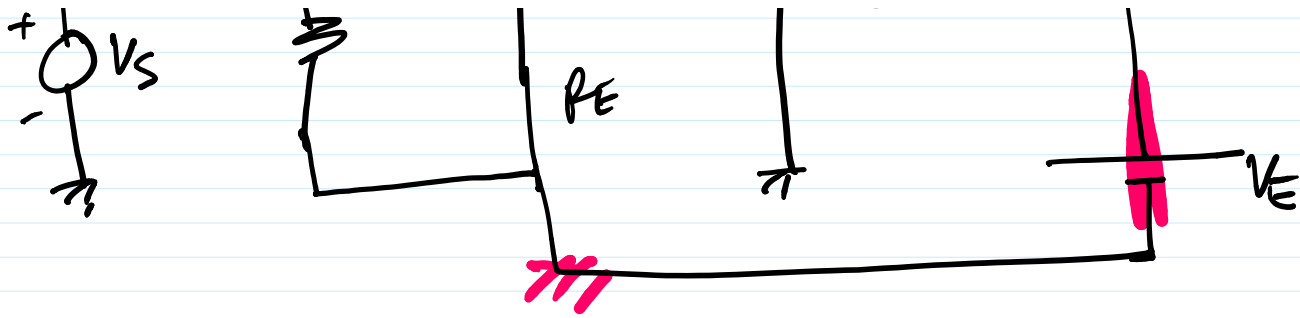
BJT



MOSFET







staff.iium.edu.my/zahirulalam